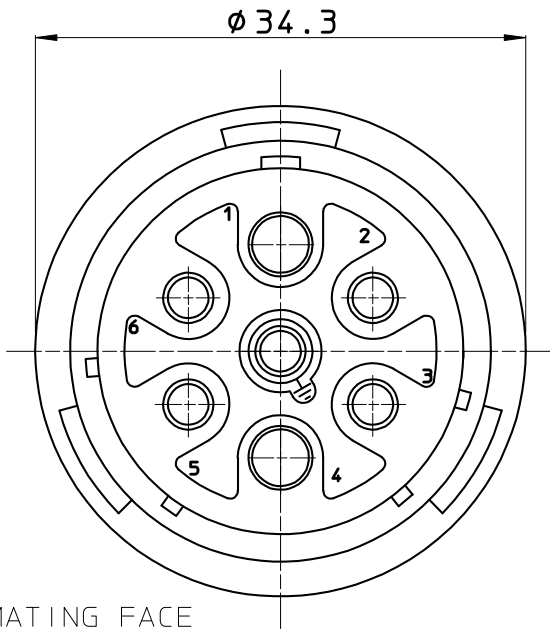


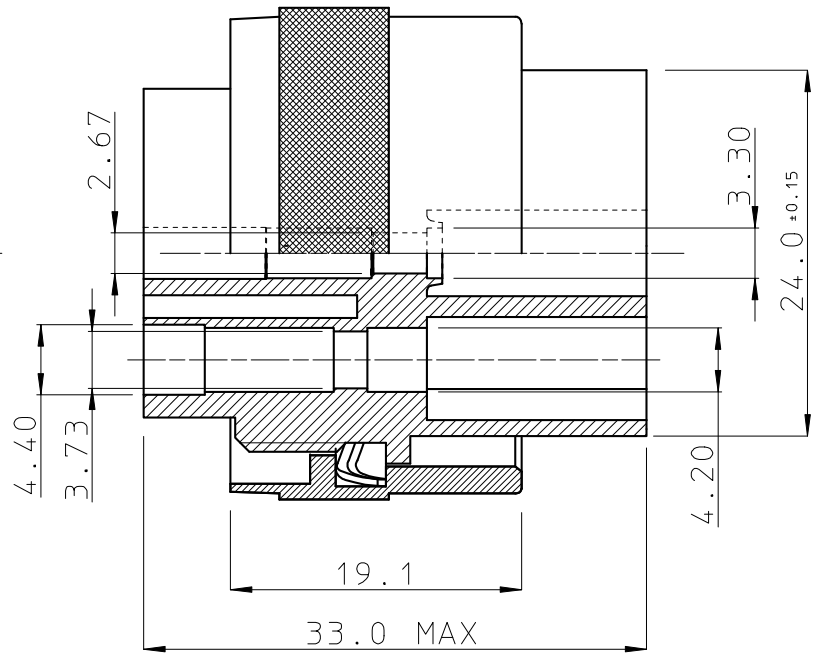
DIT IS ONZE EIGENDOM EN MAG NOCH NAGEMAAKT, HERDRUKT, OVERGEMAAKT AAN DERDEN, NOCH VOOR FABRIKATIE GEBRUIKT WORDEN, ZONDER ONZE SCHRIFTELIJKE TOELATING. BIJ NIET GEBRUIK IS DE TERUGZENDING VERPLICHT.

THIS IS OUR EXCLUSIVE PROPERTY. IT IS NOT TO BE COPIED, REPRINTED OR DISCLOSED TO A THIRD PARTY, NOR USED FOR MANUFACTURING WITHOUT OUR WRITTEN CONSENT, AND HAS TO BE RETURNED TO US IN CASE OF NO USAGE

REV.	DATE	DESCRIPTION	BY	C 'K 'D'
00	16/11/07	FIRST ISSUE	R Ch	



MATING FACE



MATERIAL

- BODY : GLASS-FILLED POLYESTER.
COLOUR : BLACK.
- BAYONET COUPLING RING : HIGH STRENGTH CuZn ALLOY, NICKEL PLATED.

PERFORMANCE CHARACTERISTICS

- OPERATING TEMPERATURE : -25 °C TO +125 °C.
- INSULATION RESISTANCE : 5000 M Ohm MIN.
- TEST POTENTIAL : 2000 V EFF.

NOTES

- CONNECTOR ACCEPTS: Ø 2.4 MM MACHINED PIN CONTACTS IN POS. 1, 4.
Ø 1.6 MM PIN CONTACTS IN POS. 2, 3, 5, 6 AND 7.
- CONNECTOR ACCEPTS # 16 STRIP FORMED, MACHINED AND SUBMINIATURE COAXIAL PIN AND SOCKET CONTACTS AND # 12 MACHINED CONTACTS
- CONTACTS TO BE ORDERED SEPARATELY.

00

BS, A , 202538, 003

GEN. ST.	01	02	03	04	05	06	07	08	0D	50	60	70	80	90																	
INT. ST.	10	11	12	13	14	18	20	31	32	33	34	38	39	40	42	43	44	45	46	48	56	70	72	73	75	76	81	82	83	84	88

1DEC ±0,2 2DEC ±0,1 ANGLES ±1° HOEKEN	1DEC 2DEC	APPR.	DATE	SIGN.	MALE UTG187 PLUG WITH 2 CONTACTS Ø2.4
WE RESERVE THE RIGHT TO CHANGE DIMENSIONS OR REQUIREMENTS WITHOUT PRIOR NOTICE.	PROD. MGR.	DRAFT	16/11/07	ROUILLARD Ch	CAT. No. UTG6187PN34
ALL DIMENSIONS IN MM	PR.ENG.MGR.	SOURIAU Connection Technology		SOURIAU Route Nationale 23 72470 CHAMPAGNE	SCALE 1:1
ALLE AFMETINGEN IN MM	PR.MGT.MGR.	REFERENCES / REFERENTIES		BS, A , 202538, 003	NOT EXPORT CONTROLLED
		DRAWING NR.		CUSTOMER DRAWING	REVISION